

## Screech Owl House Plans

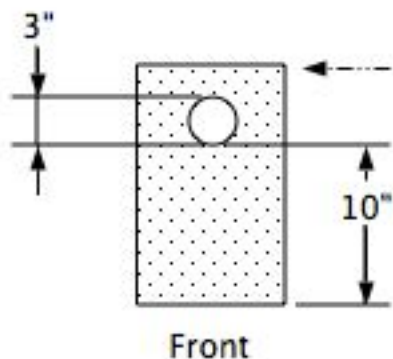
Courtesy Braddock Bay Raptor Research ([www.bbrr.org](http://www.bbrr.org))

Use 1x10 x96" select pine  
(actual size 3/4" x 9-1/8" x 96")

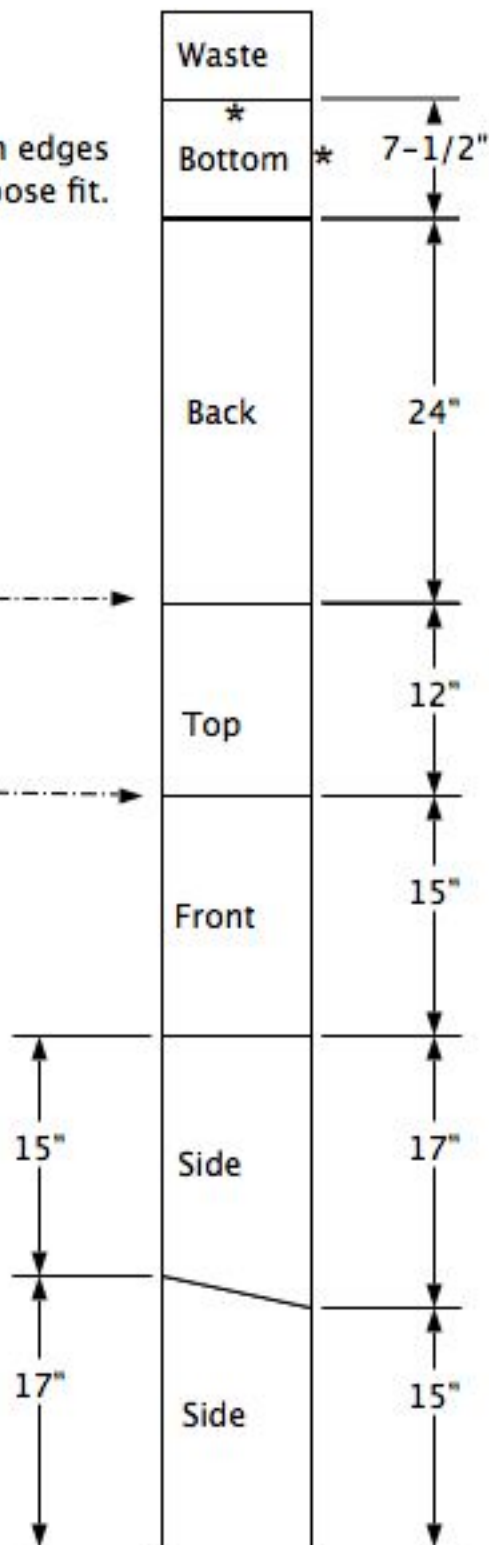
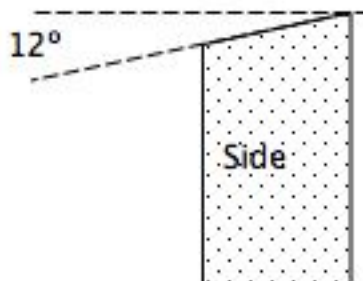


\* Trim edges for a loose fit.

Optional - cut with saw blade tilted to 12°. See detail drawing.

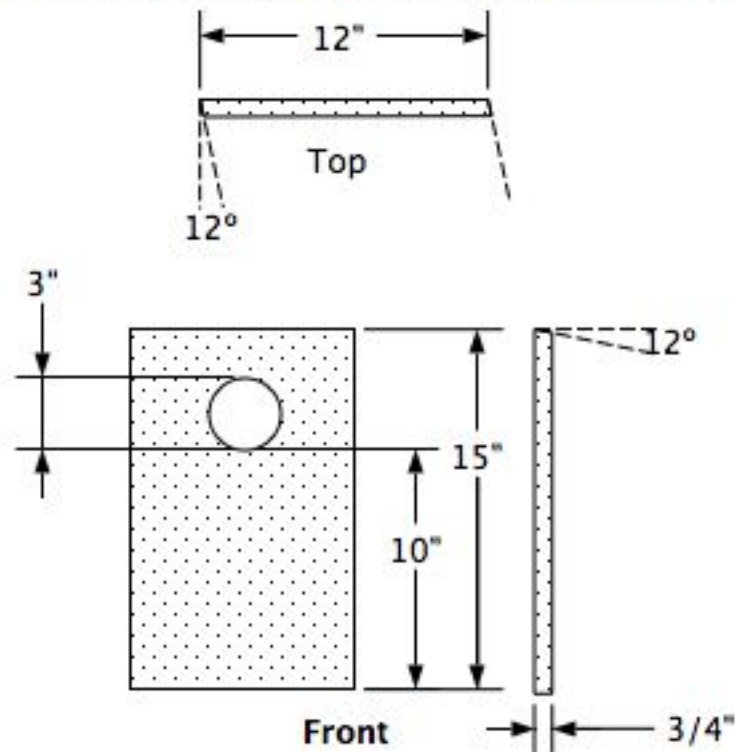


Cut with miter gauge at 12°.



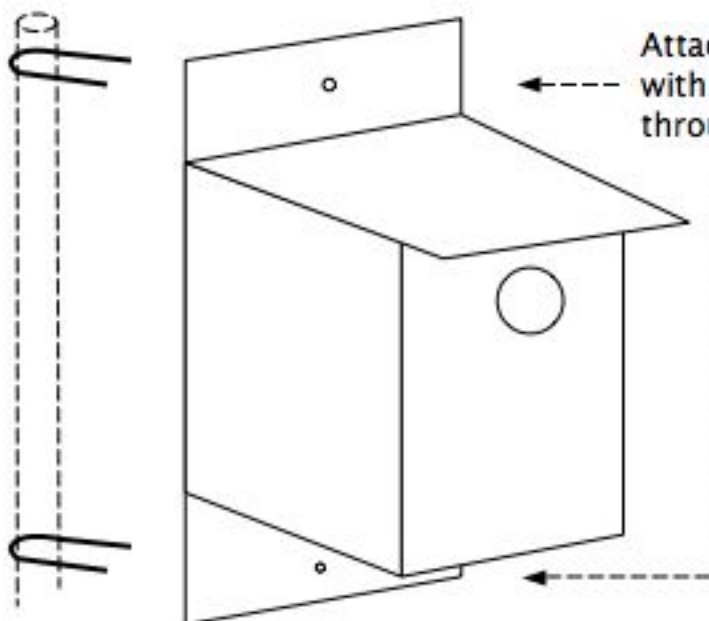
## Screech Owl House Miter Detail.

(Not necessary but makes a nicer fit if you have a table or radial arm saw.)



## Mount 15 - 20 Feet Off Ground.

Attach to pole  
with U bolts

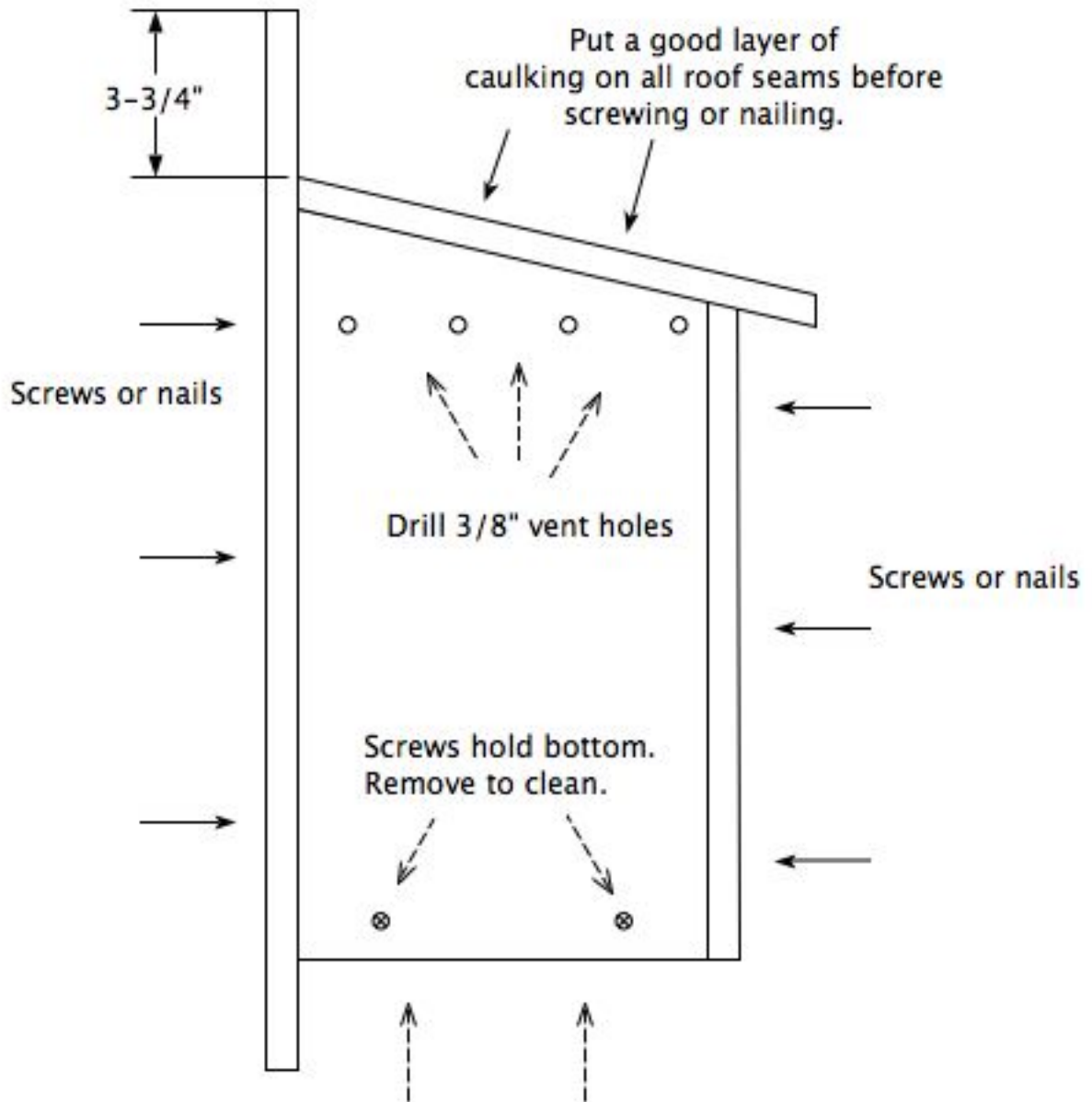


Attach to tree or wood post  
with lag screws  
through 5/16" holes.

Add 3 to 4  
inches of  
wood shavings  
and sawdust to  
box.

## Screech Owl House Assembly.

Use waterproof glue front and back. No glue on bottom.  
Caulking on top seams. Stainless or outdoor screws (1-5/8") recommended.  
Pre-drill screw or nail holes to prevent splitting.



Drill four 1/2" drain holes in bottom. Don't glue bottom.  
Bottom should fit loosely for ease of removal for cleaning.

# Stay away from Wires!

Important! Place box where it will not hit wires when you are putting it up or if it should fall.

Put a loop in the rope where it goes over the pole. Flip the loop off or push it off with another pole once the house is raised.

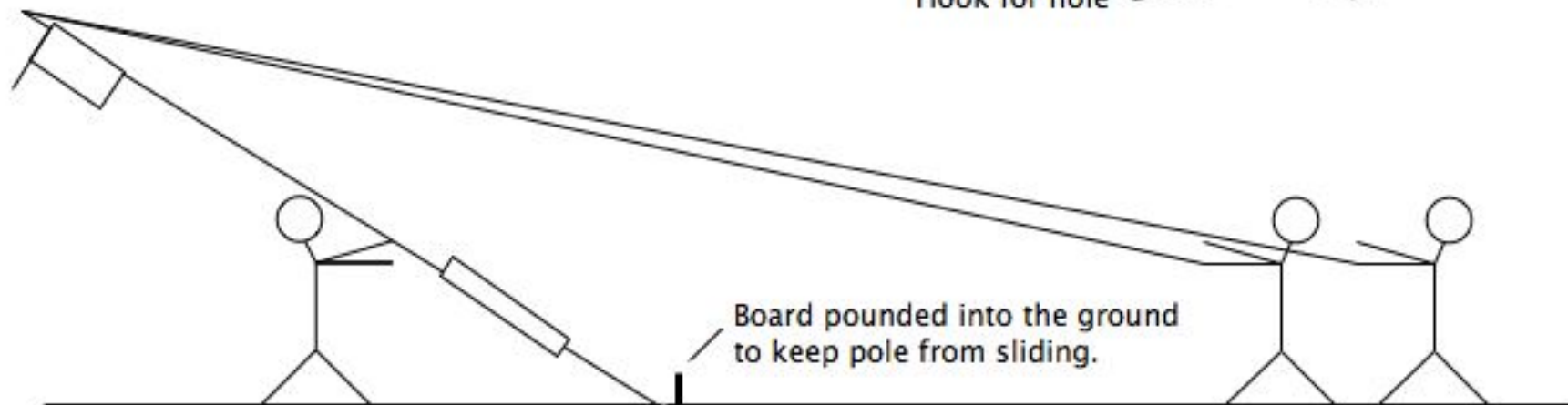
A 20 foot pole, 1-1/4" or 1-1/2" in diameter works well.

If starlings go in, bang on the pole then cover the hole after they leave. Use a large flat piece of wood with a hook .

**An Alternative: search online for a telescoping martin house pole.**

Lifting hook.  
Lift with a  
light pole

Hook for hole



Board pounded into the ground  
to keep pole from sliding.

Pipe in the ground,  
about 4 feet.

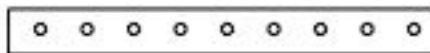
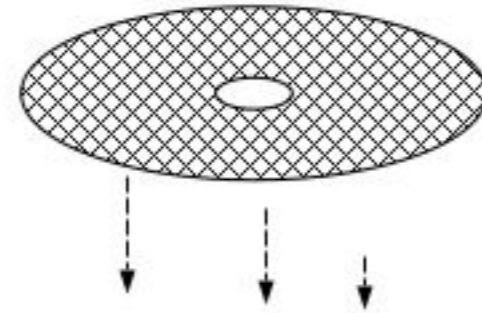
Once house is up, hold pole  
vertical and fill pipe  
with crushed stone or  
pebbles. Pound in a wooden wedge  
to keep house from turning.  
The front of the house should face north  
if possible.

## Predator Guard

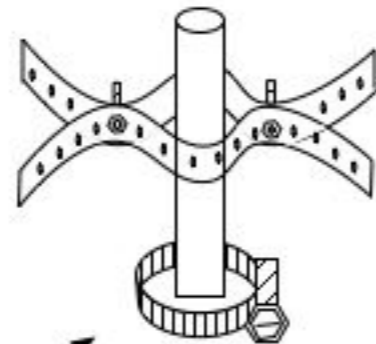
### Materials

Galvanized stovepipe, 8" diameter x 24-36"  
1/2" hardware cloth, about 10" x 10"  
1-1/2" x 20' galvanized pipe  
Hanger iron strips (2)  
#8-32x3/4" machine screws and nuts  
2" diameter stainless hose clamp.

1. Cut hardware cloth into 8" circle,  
It rests on hanger strip.



2. Iron hanger strip.  
Fasten to pole at eye level  
using screws and nuts.  
Bend out to support hardware cloth.



3. Use hose clamp around pole  
to keep baffle from sliding down.

## Predator Guard

5. Optional: Drill holes in tabs  
and fasten to hardwarecloth  
using nuts ,bolts and washers.

4. Cut four 1" tabs in the crimped  
end of the stovepipe and bend  
in.

