

Screech Owl House Plans

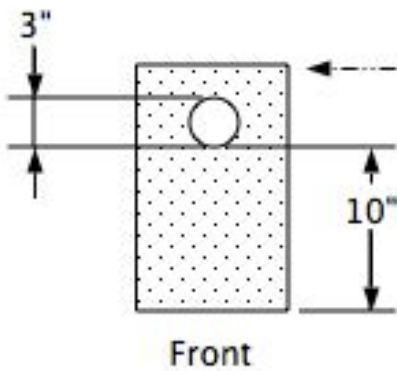
©Braddock Bay Raptor Research

Use 1x10 x96" select pine
(actual size 3/4" x 9-1/8" x 96")

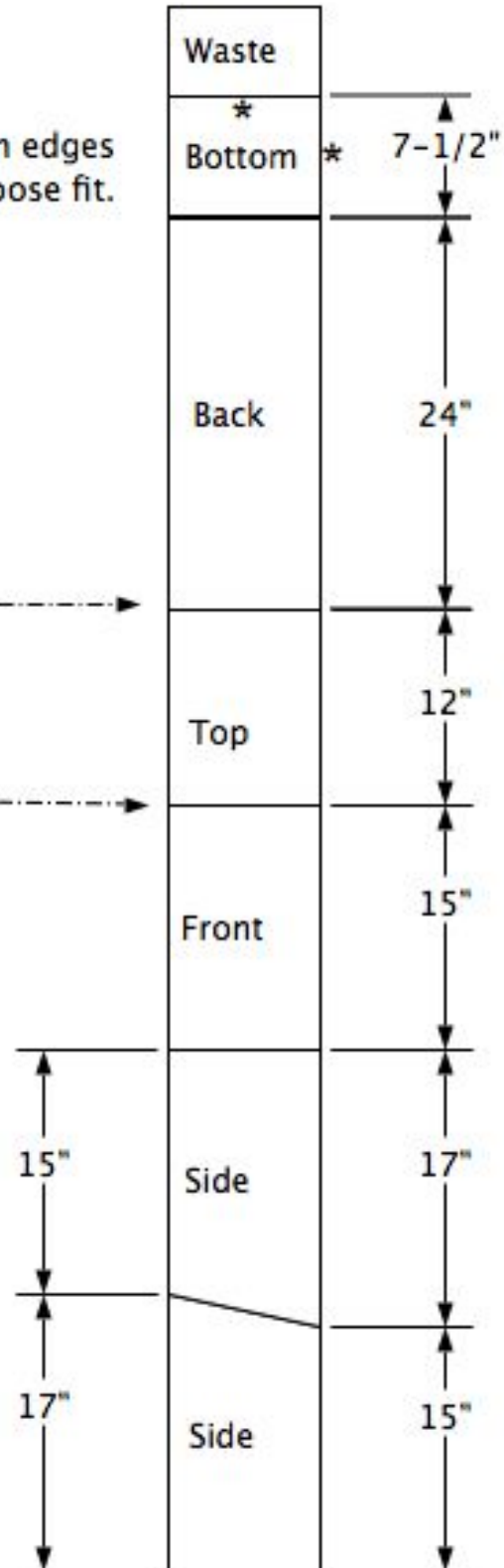
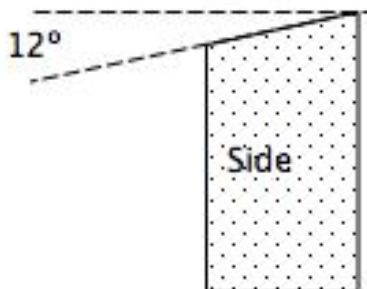


* Trim edges for a loose fit.

Optional - cut with saw blade tilted to 12°. See detail drawing.

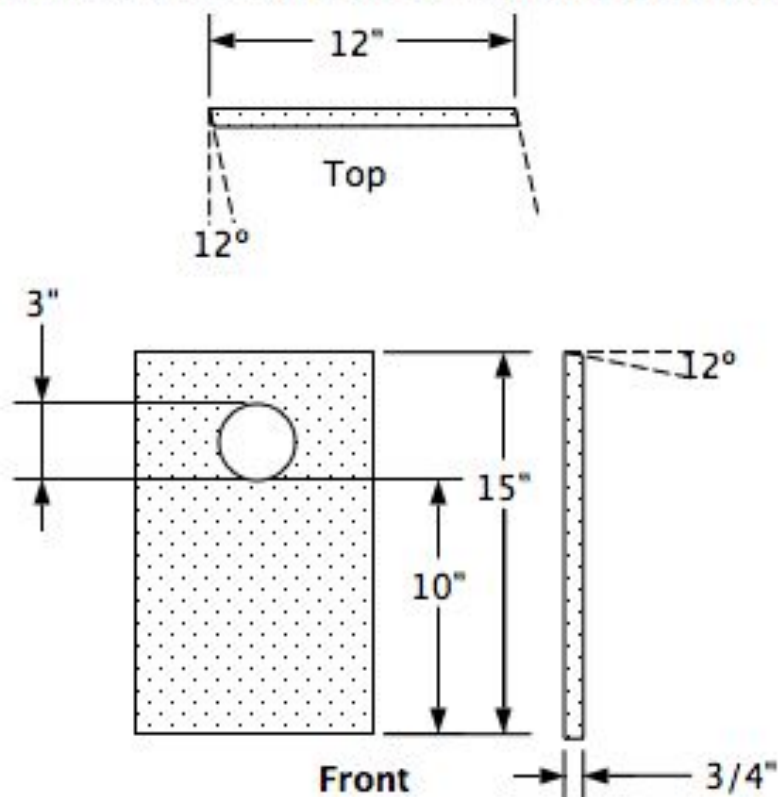


Cut with miter gauge at 12°.

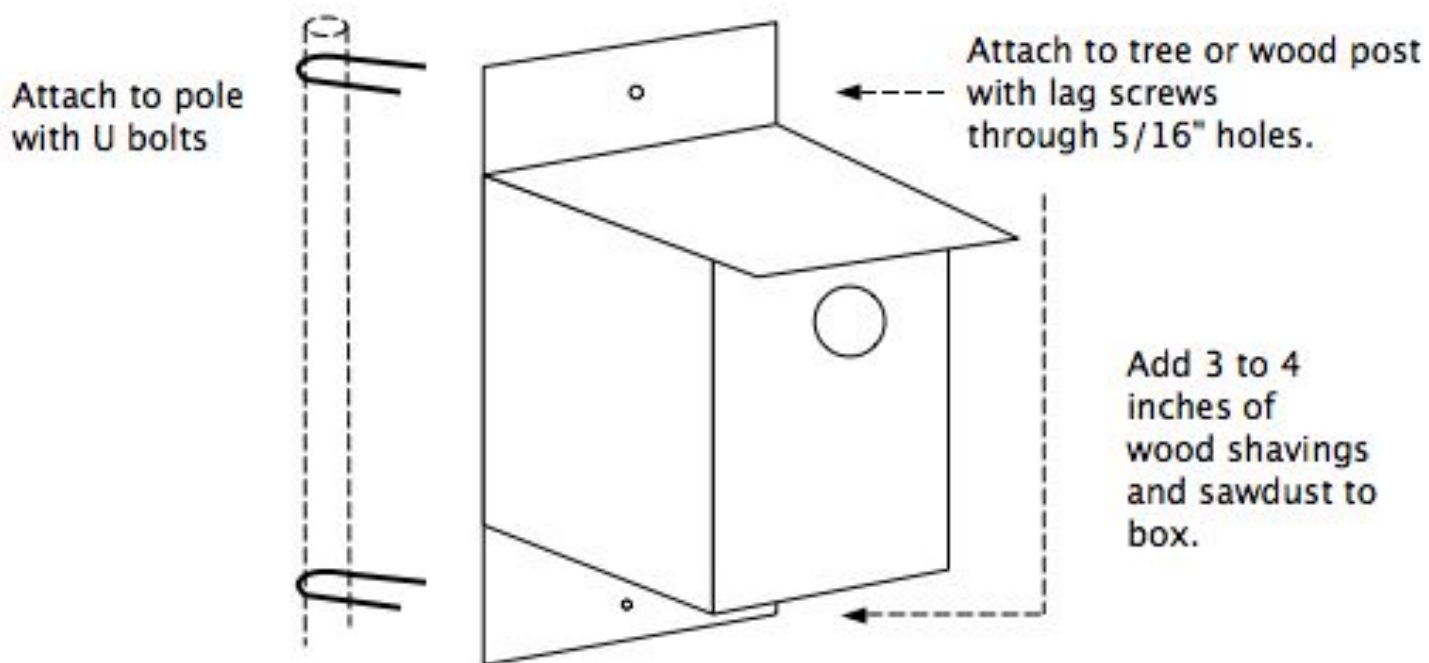


Screech Owl House Miter Detail.

(Not necessary but makes a nicer fit if you have a table or radial arm saw.)

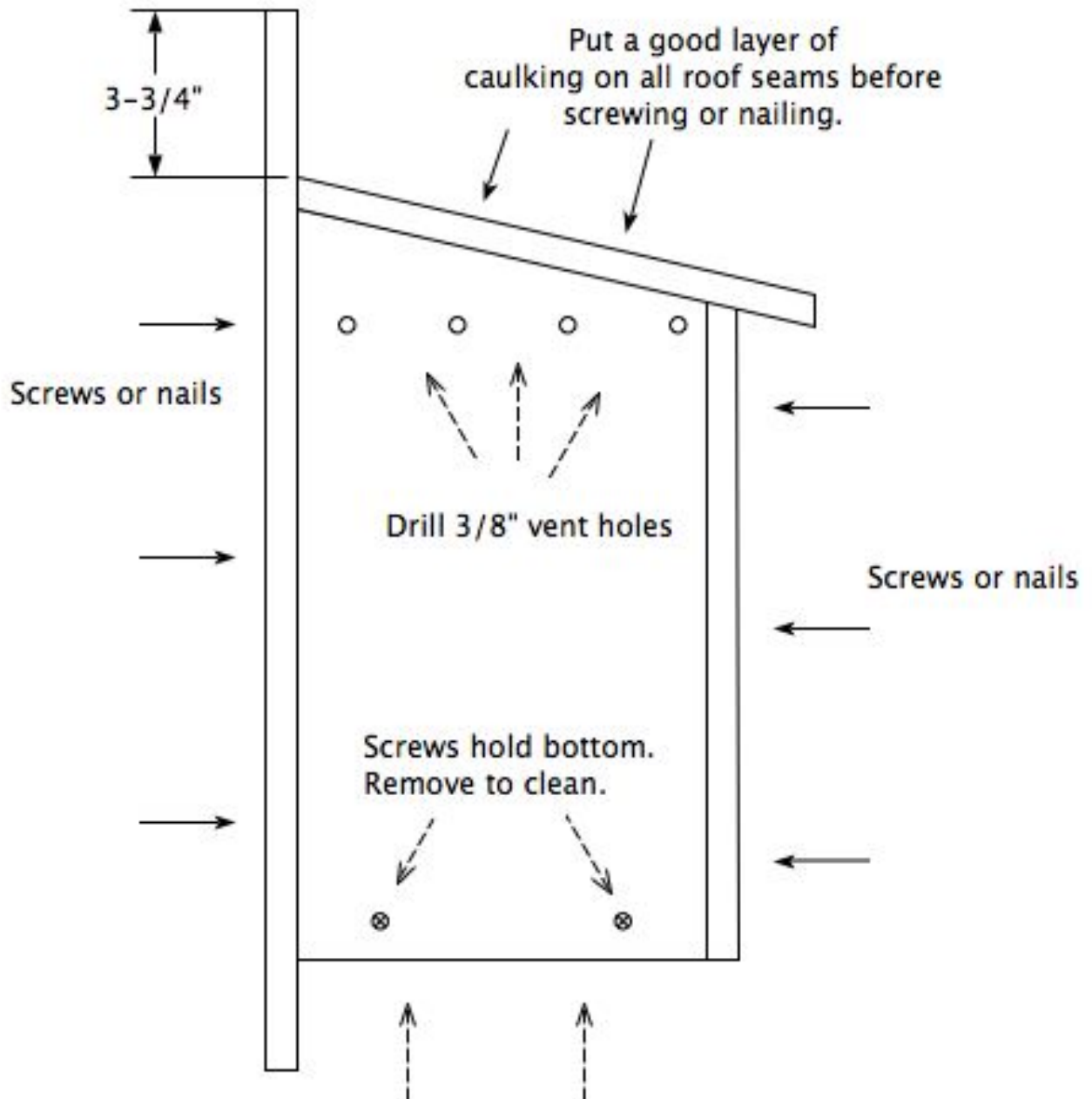


Mount 15 - 20 Feet Off Ground.



Screech Owl House Assembly.

Use waterproof glue front and back. No glue on bottom.
Caulking on top seams. Stainless or outdoor screws (1-5/8") recommended.
Pre-drill screw or nail holes to prevent splitting.



Drill four 1/2" drain holes in bottom. Don't glue bottom.
Bottom should fit loosely for ease of removal for cleaning.

Stay away from Wires!

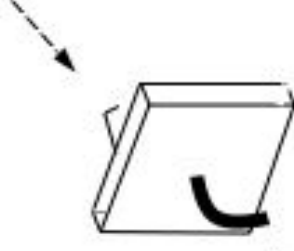
Important! Place box where it will not hit wires when you are putting it up or if it should fall.

Put a loop in the rope where it goes over the pole. Flip the loop off or push it off with another pole once the house is raised.

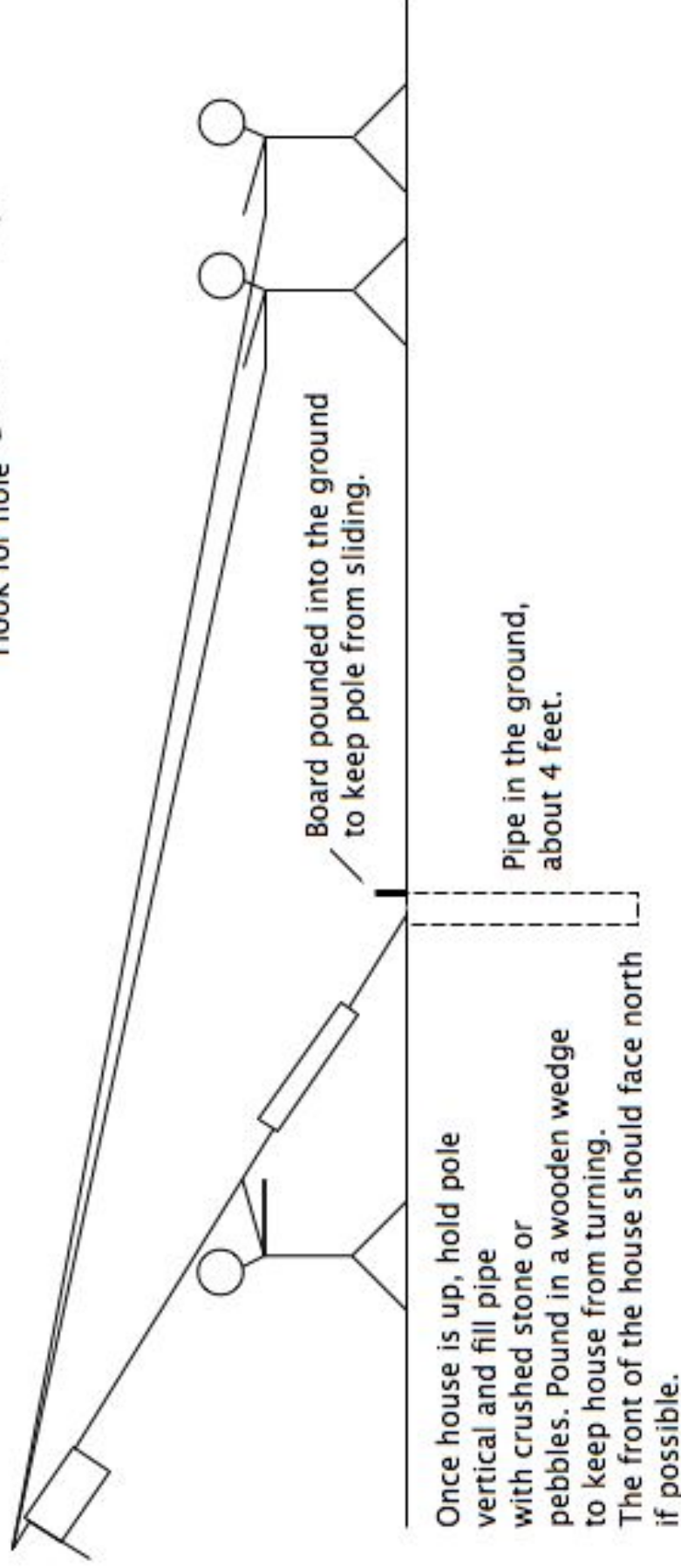
A 20 foot pole, 1-1/4" or 1-1/2" in diameter works well.

If starlings go in, bang on the pole then cover the hole after they leave. Use a large flat piece of wood with a hook.

Lifting hook.
Lift with a
light pole



Hook for hole



Board pounded into the ground
to keep pole from sliding.

Pipe in the ground,
about 4 feet.

Once house is up, hold pole
vertical and fill pipe
with crushed stone or
pebbles. Pound in a wooden wedge
to keep house from turning.
The front of the house should face north
if possible.

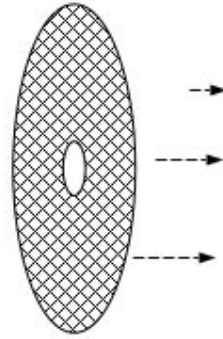
Predator Guard

©Braddock Bay Raptor Research

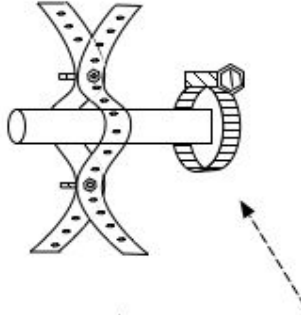
Materials

- Galvanized stovepipe, 8" diameter x 24-36"
- 1/2" hardware cloth, about 10" x 10"
- 1-1/2" x 20' galvanized pipe
- Hanger iron strips (2)
- #8-32x3/4" machine screws and nuts
- 2" diameter stainless hose clamp.

1. Cut hardware cloth into 8" circle, it rests on hanger strip.



2. Iron hanger strip. Fasten to pole at eye level using screws and nuts. Bend out to support hardware cloth.

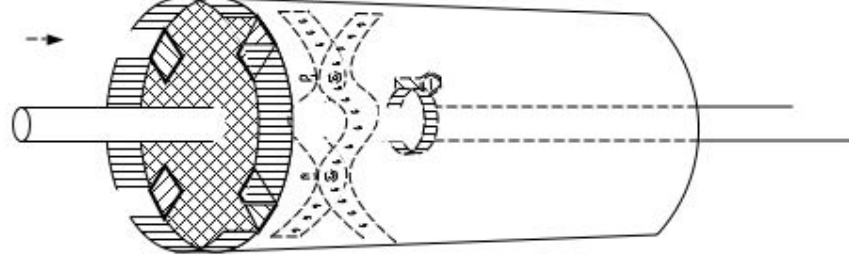


3. Use hose clamp around pole to keep baffle from sliding down.

4. Cut four 1" tabs in the crimped end of the stovepipe and bend in.

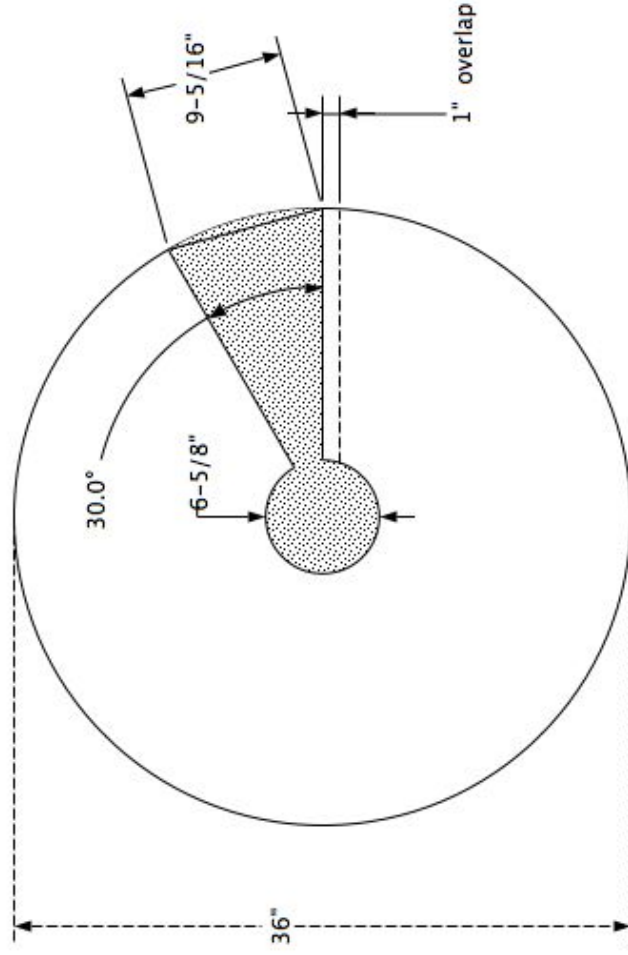


5. Optional: Drill holes in tabs and fasten to hardware cloth using nuts, bolts and washers.



Predator Guard

©Braddock Bay Raptor Research



Cut out shaded area.

Overlap edge 1" and rivet or bolt together

6-5/8" Center hole (shown) fits 4 by 4 (actual 3-1/2") square post.

5-1/2" hole fits 4" round post.

4-1/2" hole fits 3" round post.

3-1/2" hole fits 2" round post.

2-3/4" hole fits 1-1/2" round post

